

DGS ERIS-210 RF
Wireless Gas
Detector

 E-WIRE

 LoRaWAN™



DGS ERIS-210 RF is a wireless single-channel gas detector with autonomous power and data transmission over the radio channel. It allows providing safety in places of lack of engineering networks. It serves for warning about exceeding the mandatory threshold values for the concentrations of explosive, toxic gases, oxygen and carbon dioxide in the air handling zone.

Features and benefits



Applications

- Ease of installation and application
- On-site setting and checking
- Notification by LED indication
- Easy battery replacement
- Prompt servicing



Reliability and durability

- Sensitivity to low gas concentrations
- Stability of reading
- Compliance with regulatory documents: GOST, technical regulations, EC directives, etc.
- Environmental stability, poison protection



Cost-effective

- Free setting and operation software
- Minimum service life —12 years
- Optional extended warranty up to 2 years*
- Field calibration (reduction of maintenance costs)
- Service life without recharging up to 2 years

Bluetooth*

Explosion proof solar panel*

* Advanced feature

Auxiliary devices



PG ERIS-414

Individual portable four-channel gas detector for the detection of explosive concentrations of combustible gases, carbon dioxide, toxic gases or oxygen in places of direct presence of personnel: in work areas, wells, and other closed spaces.



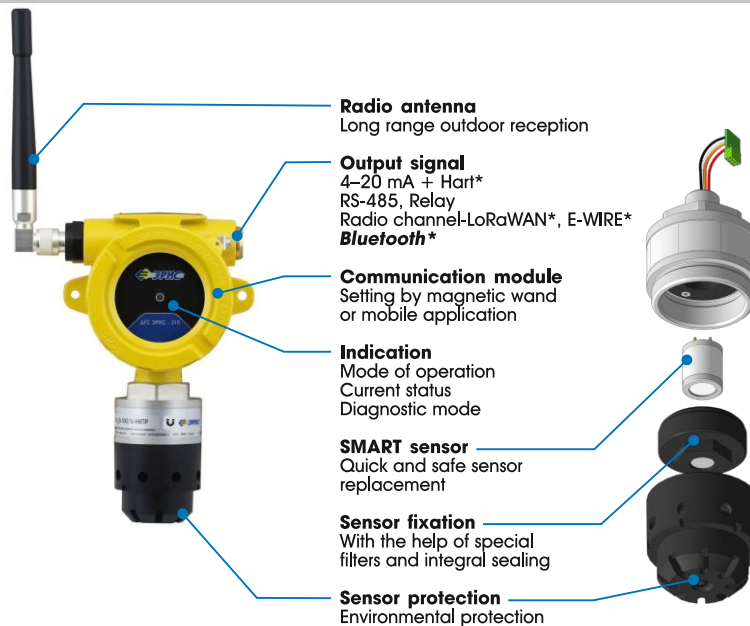
DGS ERIS-210 with repeater function

Explosion-proof sensor-repeater of the sensors-gas detectors signal with LED indicators and a wireless data transmission module. It is designed for organizing a wireless network: receiving and transmitting data from gas detectors to a modem.



DGS ERIS-210 with modem function

Explosion-proof sensor-modem with digital interface RS-485 Modbus RTU and LED indication for receiving data from gas detectors and repeaters.



SMART sensor

Intelligent sensor quick-change technology
Easy maintenance – easy sensor replacement

Radio channel

Automatic data transfer via wireless links to the workstation through stationary access points up to 1100 meters



Main parameters of DGS ERIS-210 RF

Application	Measurement gas contamination and warning of hazardous gas concentrations at objects of the first and second danger zones, in case of accidents - as an operational repair work
Gases	Combustible, toxic, oxygen
Measurement range	Depending on the measured gas
Smart sensor	Infrared, electrochemical

Electrical parameters

Supply voltage	Lithium battery, service life up to two years (under ordinary conditions)
Wireless interface	868 Mhz
Input parameters	4-20 mA*, HART*, RS-485*
Protocols	ModBus RTU*, LoRa WAN, E-WIRE , Bluetooth*
Setting	Magnetic wand HART-communicator RS-485 (ModBus RTU)* Bluetooth*

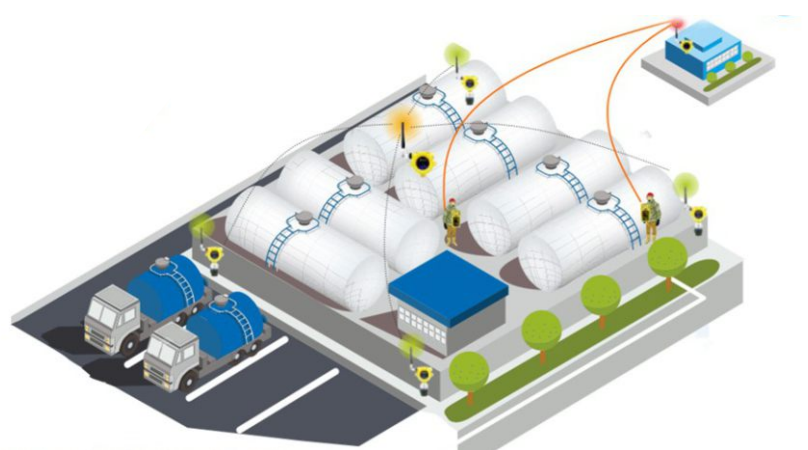
Design

Housing material	Aluminium, epoxy coating / stainless steel SS316L
Dimensions	127x124x230 / 184x124x382 (with antenna)
Weight	1.6 kg (aluminium alloy), 3.7 kg (stainless steel 316)
Fixation	Embedded bracket
Cable glands	1xM20 (1xM25)
Indication	Status LED
IP rating	Enclosure protection IP67, explosion protection IExd[ia]IICT6X
Working temperature	From minus 55 °C to plus 65 °C

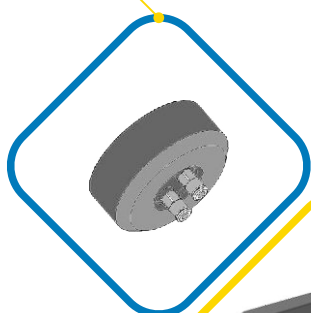
Easy battery replacement



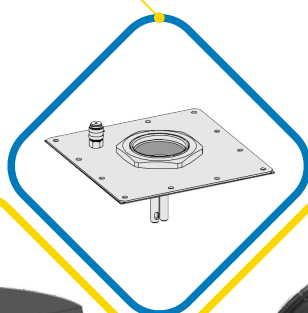
Integration into the BSK ERIS-400 wireless system



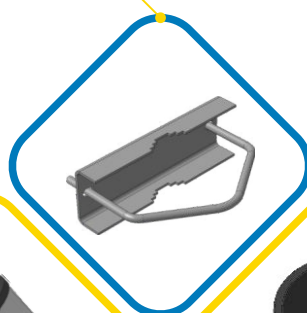
Calibration head



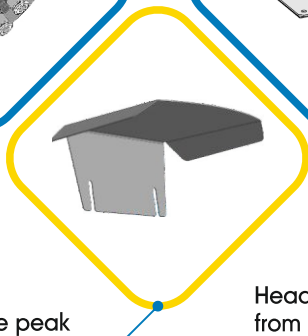
Air duct mounting kit



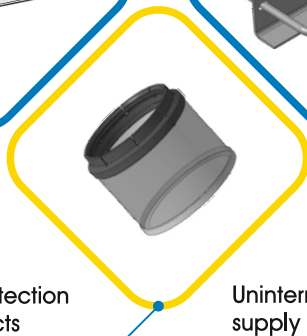
Pipe mounting kit



Protective peak



Head protection from insects



Uninterrupted power supply unit



Other devices



PG ERIS-414



DGS
ERIS-230



DGS
ERIS-PID



Advant 2



Advant 4



ERIS
IP-330

"ERIS", LLC
Address: 617762, Russia, Perm Region,
Chaikovsky city, Promyshlennaya st., 8/25.

Phone: +7 34241 6 55 11

Fax: +7 34241 6 55 11

Sales department:
Phone: +7 34241 6 55 11 ext. 170

Email: info@eriskip.ru

