

**Advant 4**  
Explosion-proof  
fixed four channel  
gas detector



Advant 4 is the explosion-proof fixed four-channel gas detector for continuously measure the presence of explosive, toxic gases, oxygen, carbon dioxide, as well as volatile organic compounds in the air even hazardous zones. The frost-proof and bright high-resolution OLED display enables the gas detector to perform in most extreme environmental conditions and low temperatures.

# Advantages



## User-friendly operation

- Ease of installation and application
- In-field setting and maintenance
- Bright LED indicators
- Multifunctional display
- Extended temperature range
- Audio and visual alarm (optional)



## High reliability

- 100% quality control
- Compliance with regulatory documents: GOST, technical regulations, EC directives, etc.
- Environmental stability, poison protection



## Accuracy of measurement

- Sensitivity to low
- High repeatability
- Exact accuracy



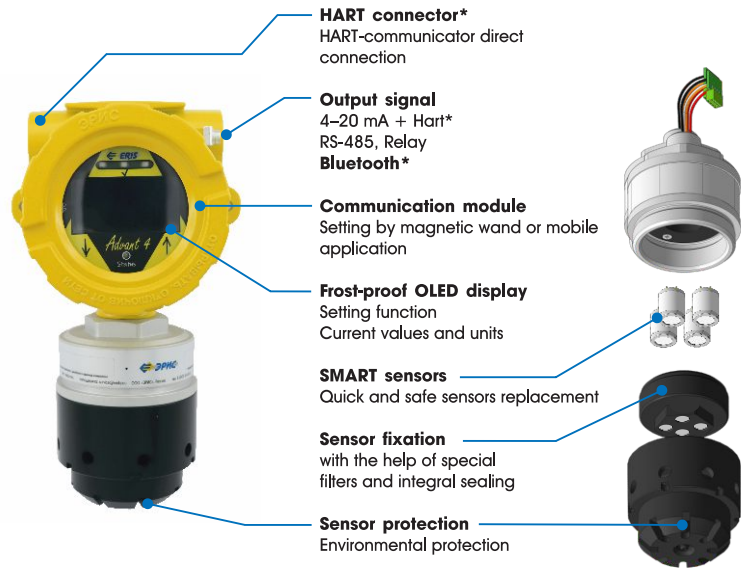
## Efficiency of investments

- Free setting software
- Minimum service life —12 years
- Optional extended warranty up to 5 years\*
- Low power consumption\*\*
- In-field calibration



## Frost resistant OLED display

- Display actual temperature in range of - 60°C ..+ 65°C
- Simultaneous displaying the current values, units
- Intuitive settings
- Selection of measurement units (ppm and mg/m3)



## Simultaneous use of four sensors

- Quick sensors replacement
- Easy maintenance
- Adaptive heating of sensors

## Bluetooth\*

- Device setting operation
- Free mobile app (Android)

\* Advanced feature  
\*\* Compared to two dual-channel gas detectors or four single-channel gas detectors

## Related control units

- Controller SGM ERS-130



Multi-channel controller (up to 8 analogue inputs, up to 32 RS-485 channels) allow connect to the ERS and most common gas detectors. Controller equipped with bright LED display and embedded audio and visual alarms, relays. Device support log values and programming features

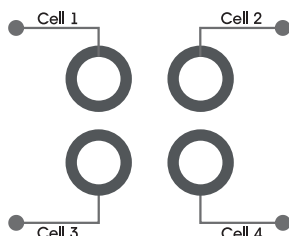
- Intelligent control system ERS IMPERIUM



Failsafe intelligent multi-functional controller designed to be key brick of enterprise instrumental control system complies with most critical industry standards. Controller's modules support a wide range of input interfaces allow connect and manage of variety gas, fire and flame detectors, industrial sensors.

## General parameters

Application	Dual channel continuously measure and detect presence concentrations of explosive, toxic gases, oxygen, carbon dioxide or volatile organic compounds in the air.
Measurement range	Depending on the measured gas
Smart sensor	Infrared, thermocatalytic, electrochemical, photoionization (simultaneous use of two sensor types is possible)



Advant 4	Cell 1	Cell 2	Cell 3	Cell 4
Combination 1	CAT/IR	EC/IR	EC/IR	EC/IR
Combination 2	PID/EC	EC	EC	EC
Combination 3 (one-at-a-time switching on)	PID	PID	EC/IR	EC/IR

CAT — thermocatalytic  
IR — infrared optical  
EC — electrochemical  
PID — photoionization

## Electrical parameters

Supply voltage	12-36 V DC (nominal value — 24 V) lithium battery (for application of IR, EC without Bluetooth)
Power consumption	The power consumption depends on the applied types of sensors (2W max.) Maximum starting power = 6,3 W
Output signals	3-wire 4-20 mA, RS-485 Modbus, HART, Bluetooth*
Setting	Magnetic wand HART-communicator RS-485 Bluetooth* (Mobile App)

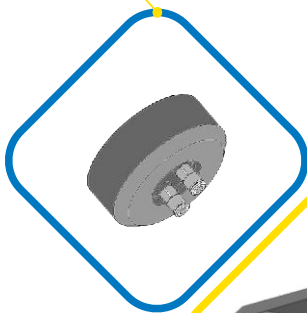
## Design

Housing material	Aluminium, epoxy coating / stainless steel SS316L
Dimensions	145*110*240 cm
Weight	2.5 (aluminium alloy)
Mount	Embedded bracket
Cable entry	2xM20 (2xM25 optional)
Indication	Frost-proof OLED-display, status LED
Casing protection	Enclosure protection IP67, explosion protection 1Exd[ia]IICT6X
Temperature range	- 60°C.. +65°C (- 40°C .. +50°C electrochemical sensors limit)

# Additional accessories



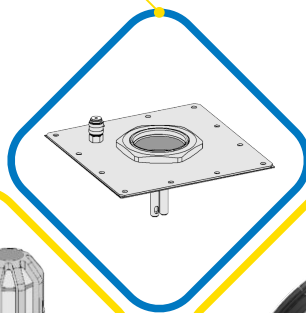
Calibration cap



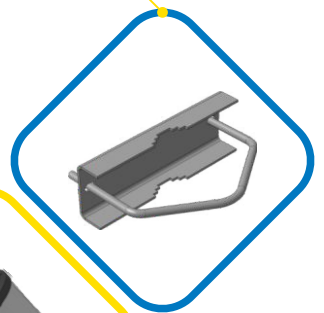
HART communicator connector



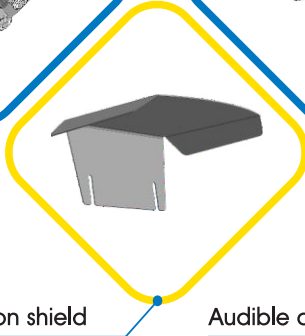
Air duct mounting kit



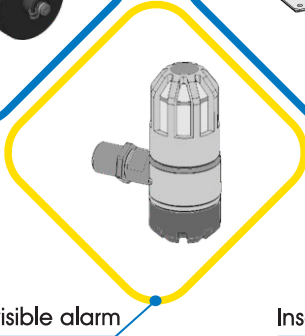
Pipe mounting kit



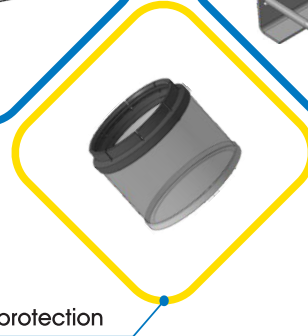
Protection shield



Audible and visible alarm



Insect protection



## Other devices



DGS  
ERIS-210S



DGS  
ERIS-210



DGS  
ERIS-230



DGS  
ERIS-PID



Advant 2



ERIS  
IP-330

## "ERIS KIP" LLC

Promyshlennaya street 8/25, Chaykovsky, Perm region, Russia

Phone: +7 34241 6 55 11

info@eriskip.ru

## Technical Support Service:

Phone: +7 800 5500715

service@eriskip.ru

Learn more: [www.eriskip.com](http://www.eriskip.com)

