



Technická inšpekcia, a.s.

Trnavská cesta 56, 821 01 Bratislava
Slovenská republika

[1] SUPPLEMENTARY EU-TYPE EXAMINATION CERTIFICATE



[2] Equipment or Protective System Intended for use in potentially explosive atmospheres
Directive 2014/34/EU

[3] Supplementary EU-Type Examination Certificate Number:
TI20ATEX 50 X / 1

[4] Equipment or Protective System:
Fixed gas detector

Type: **DGS ERIS-210**
DGS ERIS-230
DGS ERIS-PID

[5] Manufacturer: Limited Liability Company "ERIS"

[6] Address: Russian Federation, Perm Territory, Chaykovsky, Promyshlennaya street 8/25

[7] This supplementary certificate extends EU – Type Examination Certificate No. TI20ATEX 50 X to apply to products designed and constructed in accordance with the specification set out in the Schedule of the said certificate but having any variations specified in the Schedule attached to this certificate and the documents therein referred to.

[8] Technická inšpekcia, a.s., Notified Body Number 1354 in accordance with Article 17 of Directive 2014/34/EU of the European Parliament and of the Council, dated 26 February 2014, certifies that the product, as modified by this supplementary certificate, has been found to comply with the Essential Health and Safety Requirements relating to the design and construction of products intended for use in potentially explosive atmospheres given in Annex II to the Directive.

Technická inšpekcia, a.s.
Trnavská cesta 56
821 01 Bratislava, Slovakia
e-mail: tisr@tisr.sk
web: www.tisr.sk
Tel.: +421 2 49208 100



Bratislava, February 15th, 2021

Ing. Dušan Perniš
General Director

This certificate may only be reproduced in its entirety and change, schedule included.
Page 1 of 3 of Supplementary Certificate No. TI20ATEX 50 X / 1

454299
CS 1703 128

[13] **Schedule**

[14] **Supplementary EU-Type Examination Certificate Number: TI20ATEX 50 X / 1**

[15] Description of the variation to the product:

The subject of this supplementary certificate is the addition of a VOC gas detector equipped with PID sensor. The detector function is to detect the specific gas (volatile organic compounds), transform the gas concentration into the digital signal and transmit the signal to the controller or automation system. The measurement module is equipped with the moisture protection cap for protection against moisture.

Overall dimensions of the gas detector are presented at Figures 1. All dimensions are indicated in mm.

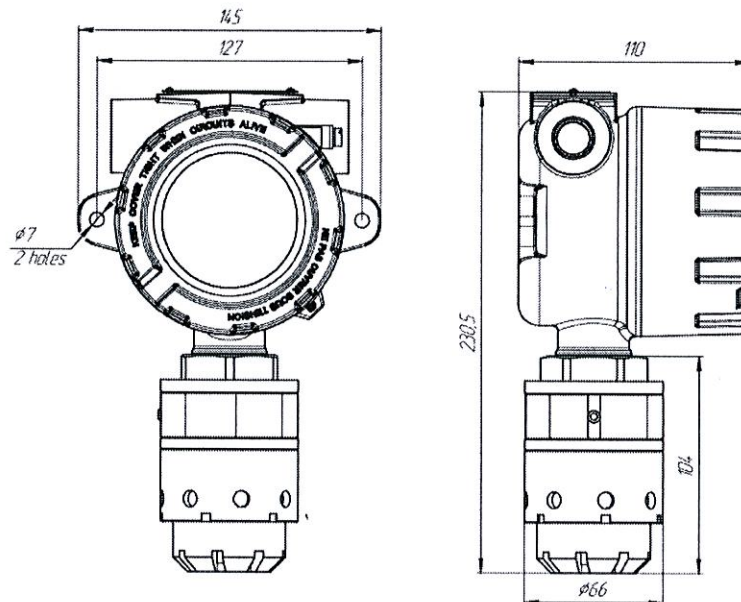


Figure 1 – Overall dimensions of DGS ERIS-PID

DGS ERIS-PID is equipped with status LED on the bottom of the front panel and display.
 - DGS ERIS-PID - photoionisation gas detector

[16] Report Number:

Inspection report No: 36/5/2021

Final Test Report No: 36/5/2021

[17] Special conditions for safe use:

- Ambient temperature: $-40^{\circ}\text{C} \leq T_{\text{amb}} \leq +50^{\circ}\text{C}$
- Relative humidity: no more than 98 %
- Atmospheric pressure: from 84 up to 106.7 kPa
- Warning marking:
"KEEP COVER TIGHT WHEN CIRCUITS ALIVE"

- "WARNING - POTENTIAL ELECTROSTATIC CHARGING HAZARD - SEE INSTRUCTION"
- Electrostatic risk - do not rub and do not clean with solvent.
 - All additional accessories include cable gland and stop plug can be used ATEX certified only with minimum requirement Ex db IIC T6 Gb.
 - Similar gas sensor can be used ATEX certified only with Equipment Protection Level minimum Ga,Gb, Equipment Group II, subdivision IIC and Temperature class T6"

[18] Essential Health and Safety Requirements:
Covered by the standards listed at item 9.

[19] Drawings and Documents:

Number	Sheet	Issue	Date	Description
APNS.413216.240-02	3		25.03.2019	ASSEMBLY DRAWING OF DGS ERIS-PID
DGS ERIS-PID Manual EN	89		21.03.2018	Instruction manual DGS ERIS-PID
Baseefa07ATEX0060U	4		24.10.2019	Type examination certificate for PID Gas sensor
P00-005392	1		30.09.2020	Confirmation of the type of device
TI20ATEX 50 X	4		01.07.2020	Type examination certificate Fixed gas detector

Technická inšpekcia, a.s.
Trnavská cesta 56
821 01 Bratislava, Slovakia
e-mail: tisr@tisr.sk
web: www.tisr.sk
Tel.: +421 2 49208 100

Bratislava, February 15th, 2021



n. 2. Jureš
Ing. Dušan Perniš
General Director